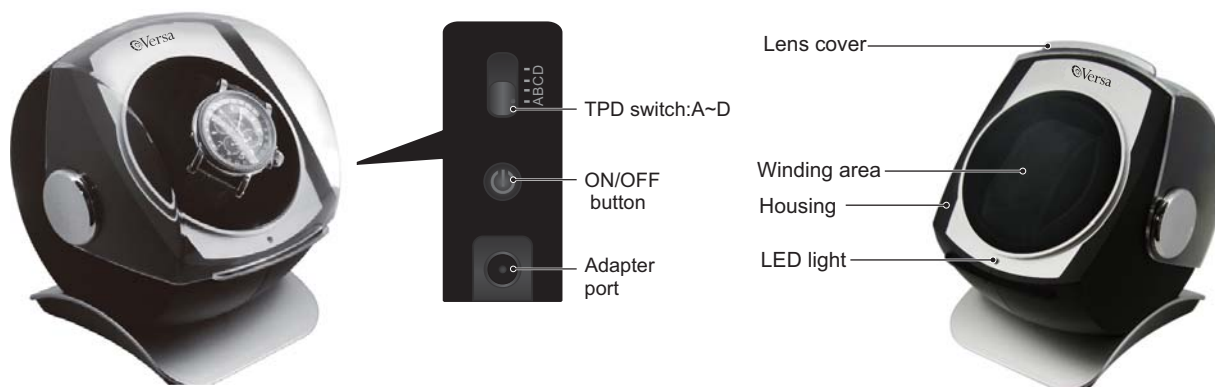


Instruction Manual

- Thank for purchasing a Versa watch winder.
- Please take a few moments to read through the manual to ensure proper operation.
- Please keep the instruction manual for future reference.

ITEM NO.:G083

The switch and adapter port can be found on the rear side of the unit.



Item Specification

Power	Input :100~240V , 50~60Hz / Output : 4V 500mA		
Features	1. Has green LED light indicator when power on. 2. TPD (Turns Per Day) Mode A: 850TPD, clockwise rotation Mode B: 850TPD, counterclockwise rotation Mode C: 650TPD, bidirectional rotation Mode D: 1050TPD, bidirectional rotation Please note that the watch winder will turn, rest, and turn again for each setting. The watch winder will not turn constantly to prevent over winding of your watch. This is the normal operation for the watch winder.		
Size	122x150x144mm(WxHxD)		
Temperature	Operate between 5°C~+40°C		
Weight	About 460g(without adapter)	Accessory	AC Adapter

Note:

- * Please use the AC adapter supplied with the unit.
Input: AC/100-240V, 50-60Hz
Output: DC/4V 500mA
- * Remove the adapter when the winder is not in use.
- * Always turn off the power when inserting or removing watches.



Operation:

- * Insert the adapter into the adapter port and plug it into the electrical outlet.
- * Open the front cover, softly pull out the watch pillow using your index finger and thumb.
- * Place the watch around the watch pillow and put the watch pillow back into place.
- * To start operation, please set the interval and direction settings on the back of the watch winder.

Attention:

- * If you do not use this product for a long time, please unplug the adapter from the unit.
- * Make sure to turn the unit off completely before attempting to pull out the watch pillow.
- * For warranty information, please contact the retailer you purchased from.